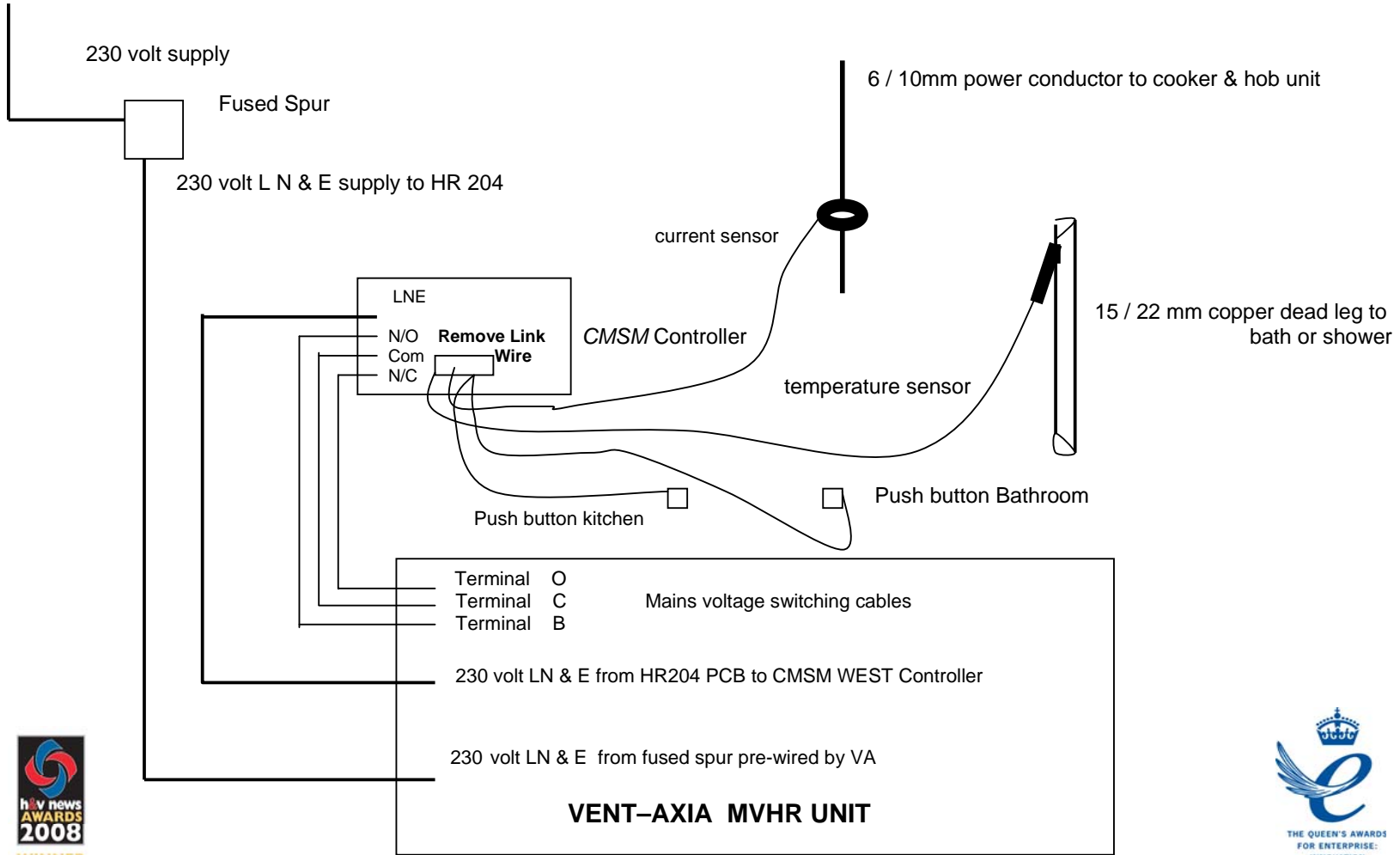


TYPICAL ARRANGEMENT OF *CMSM* CONTROLLING VENT-AXIA MVHR FOR KITCHEN / BATHROOM EXTRACT

Please note where a current sensor is being used with a temperature sensor the current being sensed must exceed 2.5 amps. An additional controller is required for sensing current values less than 2.5 amps



N.B The link wire in the controller must be removed for use with the Vent-Axia HR204

For Further Details Please Contact:

WEST ENERGY SAVING TECHNOLOGIES & W.P.M.S. Ltd
Tel 0115 9222940 Fax 0115 9250222 Web Site www.westenergy.co.uk