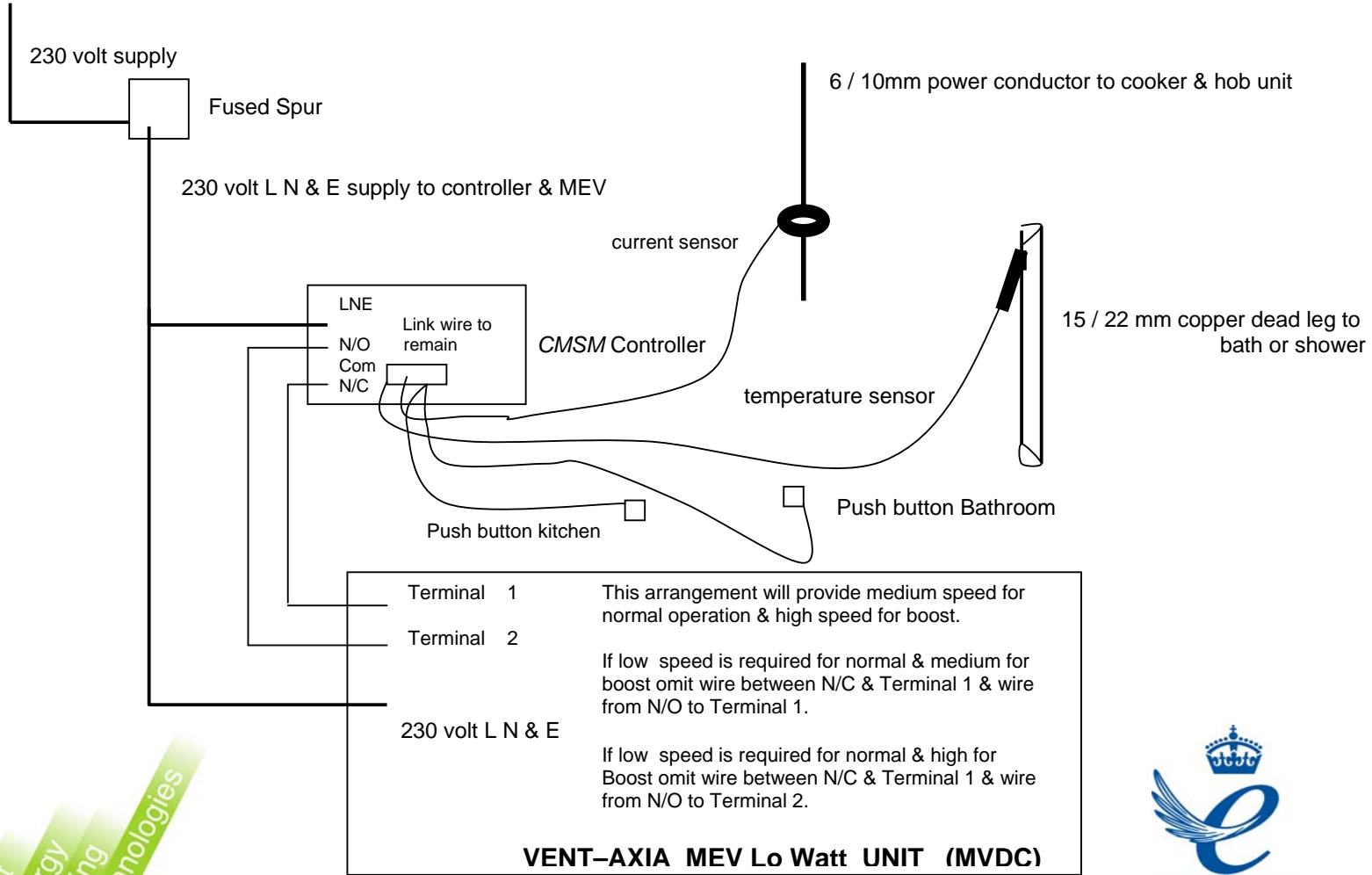


# TYPICAL ARRANGEMENT OF *CMSM* CONTROLLING VENT-AXIA MEV Lo Watt FOR KITCHEN / BATHROOM EXTRACT

**Please note** where a current sensor is being used with a temperature sensor the current being sensed must exceed 2.5 amps. An additional controller is required for sensing current values less than 2.5 amps



For Further Details Please Contact:

WEST ENERGY SAVING TECHNOLOGIES & W.P.M.S. Ltd  
 Tel 0115 9222940 Fax 0115 9250222 Web Site [www.westenergy.co.uk](http://www.westenergy.co.uk)